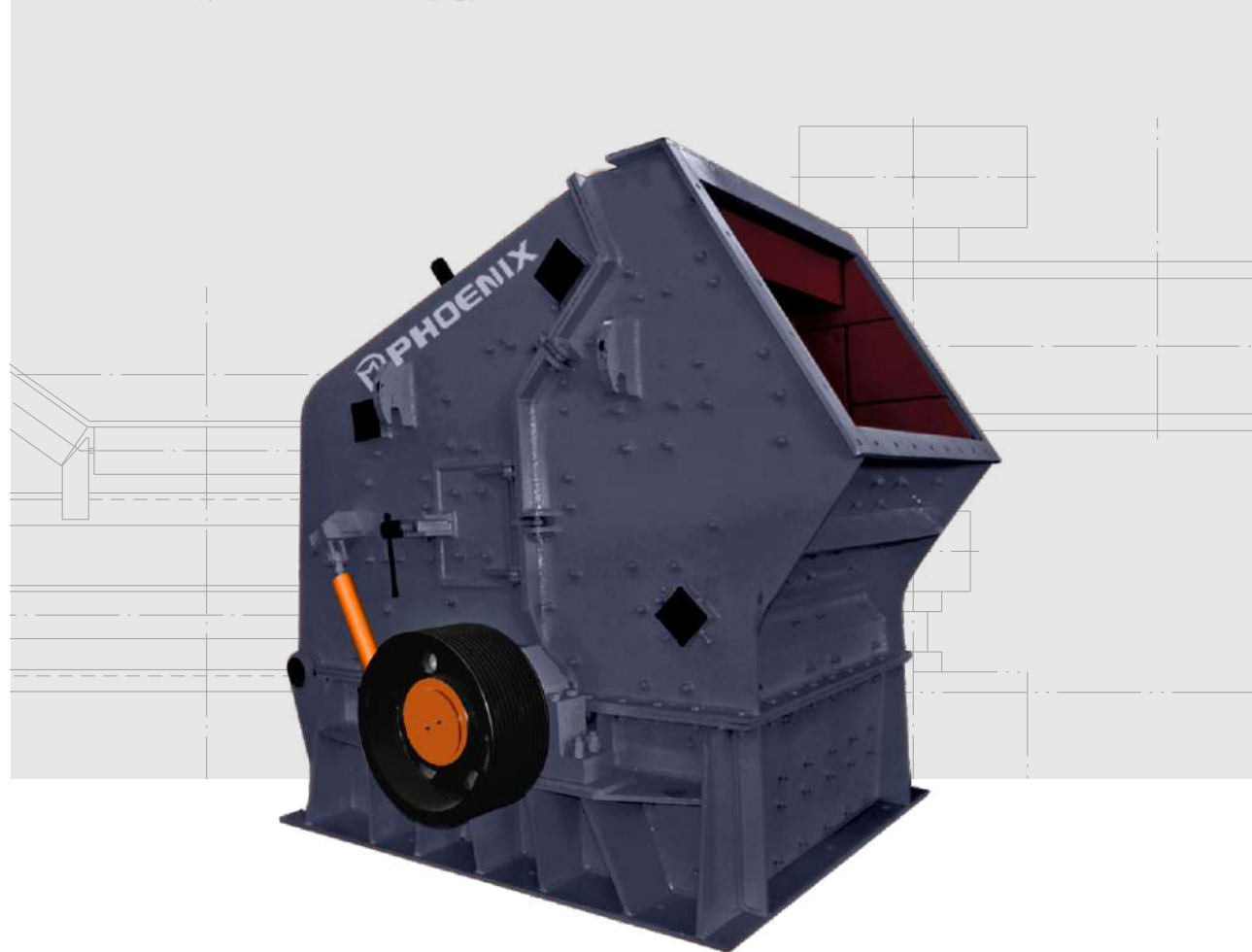


PF IMPACT CRUSHER

PF反击式破碎机



产品特点

Product Characteristics

- | | |
|---|---|
| <ol style="list-style-type: none"> 1. 高效节能; 2. 转子运转稳定; 3. 高铬板锤、独特的反击衬板、寿命长; 4. 成品形状呈立方体, 无张力裂缝, 粒型较好, 排料粒度大小可调, 简化破碎流程维修方便, 操作简单可靠。 | <ol style="list-style-type: none"> 1. High efficiency and energy saving; 2. The rotor is stable; 3. High chrome plate hammer, unique counter lining, long life; 4. The shape of the finished product is cubic, no tension crack, good grain shape, adjustable grain size, simplifying the crushing process, easy to operate, simple and reliable operation. |
|---|---|

设备简介

Introduction

反击式破碎机一般作为二级破碎设备, 该系列破碎机可处理粒度不大于500毫米, 抗压强度不超过320Mpa的各种物料。具有破碎比大、破碎效率高、维修方便等特点。成品成立方体, 是高速公路路面及水电建设所用骨料的理想加工设备。反击式破碎机以其优异的性能和良好的表现, 被广泛应用于高速公路建设、水利工程和建筑用碎石加工等领域。

The impact crusher is generally used as a secondary crushing device. The crusher can process various materials with a particle size of not more than 500 mm and a compressive strength of not more than 320 Mpa. It has the characteristics of large crushing ratio, high crushing efficiency and convenient maintenance. The finished product is a cube, which is an ideal processing equipment for the highway pavement and the aggregate used in hydropower construction. With its excellent performance and good performance, the impact crusher is widely used in highway construction, water conservancy projects and gravel processing for construction.

产品参数

Main Specification

型号 Model	转子尺寸 Rotor Size(mm)	进料口尺寸 Feed Opening (mm×mm)	最大进料粒度 Max Feed Size(mm)	生产能力 Crushing Capacity(t/h)	功率 Power(kw)	重量 Weight(t)	外形尺寸 Overall Dimensions (mm)
PF-1007	Φ1000×700	400×730	300	25-45	30-55	9.5	2400×1558×2660
PF-1010	Φ1000×1050	400×1080	350	50-80	55-75	12.2	2400×2250×2620
PF-1210	Φ1250×1050	400×1080	350	80-120	110-132	14.2	2690×2338×2890
PF-1214	Φ1250×1400	400×1430	350	100-160	132-160	18.5	2690×2688×2890
PF-1310	Φ1300×1050	490×1170	400	80-140	110-160	13.5	2780×2478×2855
PF-1315	Φ1320×1500	860×1520	500	150-220	220	20.9	3350×2710×2670
PF-1415	Φ1450×1500	900×1650	500	200-260	260-280	27.1	3400×3500×3280
PF-1515	Φ1500×1500	980×1610	500	220-280	280-315	30.5	3950×3350×3055
PF-1320V	Φ1320×2000	2030×800	400	280-320	280	29.7	3280×3217×2613
PF-1420V	Φ1400×2000	2020×1000	600	300-350	355	35	3708×3350×3830
PF-1520V	Φ1520×2000	2030×890	500	450-600	200×2	36.4	3666×3232×3000
PF-1620V	Φ1640×2000	2020×860	520	400-550	220×2	41	3620×3640×2995

注: 规格型号如有变动, 恕不另行通知。
 Note: Specifications and models are subject to change without notice.